

Direct Lifts
 Po Box 42

From: Christian Sanby

Object:

Direct Lifts Australia
 43 Telford St, Virginia, QLD, 4014, Australia
 +61 423 009 002
 info@directlifts.com.au

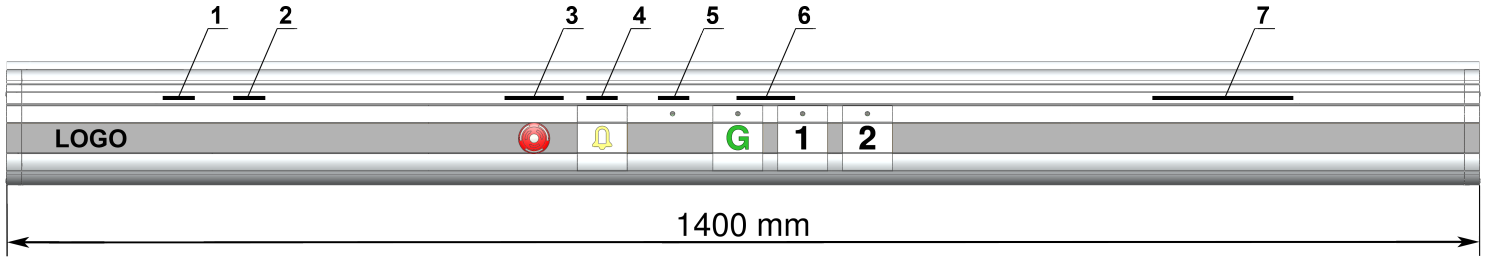
System Screw-driven
Lifting weight 400 kg
Speed 0.15 m/sec
Platform dimensions 570 x 1400 mm
Shaft dimensions 960 x 1460 mm
Platform lifting height 3986
Number of stops 3
Surface (paint color) RAL 9010 (painted)
Lift type Inside
Voltage Power supply 220 V, 1 phase, 50 Hz, C25
Frequency converter Included
Keyboard language English

Type of door
 Aluminum with glass (standard) door 512x2000 (left) 2 pcs.
 Aluminum with glass (standard) door 512x2000 (right) 1 pcs.
Opening the door
 Manual (standard) 3 pcs.

Additional equipment

Ramp	1 pcs.
Ceiling with light (LED Spots)	1 pcs.}
Telephone on the platform	1 pcs.}
Reinforced guide rails	6085 mm}
One touch operation	1 pcs.}
MC2 button	3 pcs.}
Packaging on the heated wood pallets	1 pcs.}

Keyboard

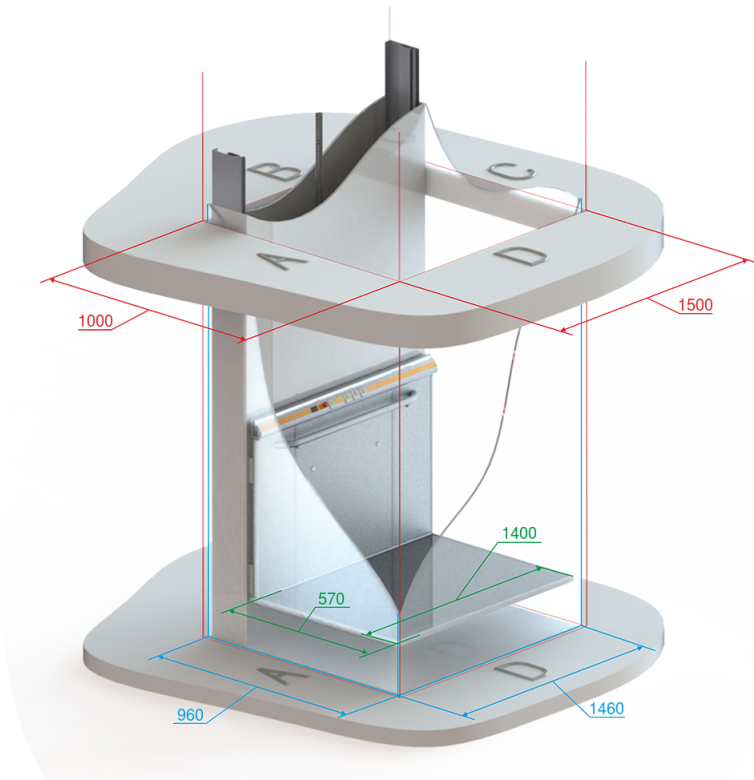


1. Mnf. Date: ****
2. Serial No. *****
3. **EMERGENCY STOP** Twist to release
4. **ALARM** Press for 10 sec.
5. **OVERLOAD**
6. **PRESS AND HOLD**
7. **MAX. 4 PERS./ 400 KG**

Logo on the control panel
Control panel strip color

Only Client logo
 Silver

Pit, Shaft and Platform dimensions



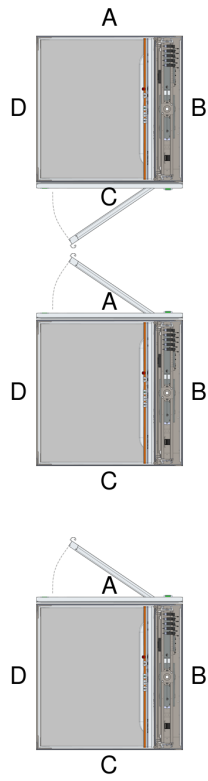
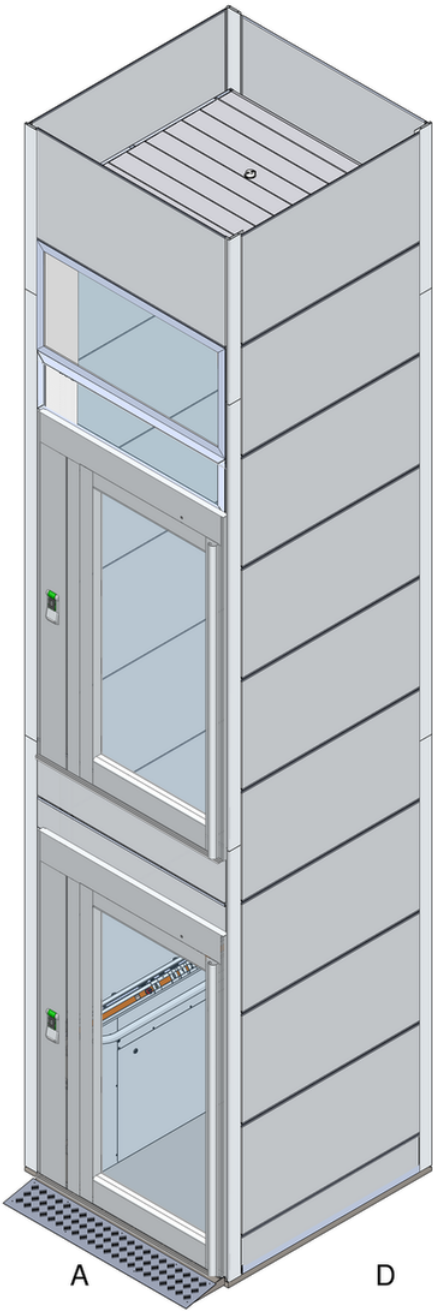
Dimensions	
Platform dimensions	570 x 1400 mm
Shaft dimensions	960 x 1460 mm
Floor slab hole	1000 x 1500 mm

Preliminary weights (gross)

Guide rails pallet	276 kg
Door pallet	330 kg
Platform pallet	585 kg
Total	1191 kg

1 2 3 4 5 6 7 8

A
B
C
D
E
F
G
H



3 Floor
Floor numbering: 2
Platform lifting height: 3986 mm
Doors C: 512x2000 mm
Call button: On the box/profile

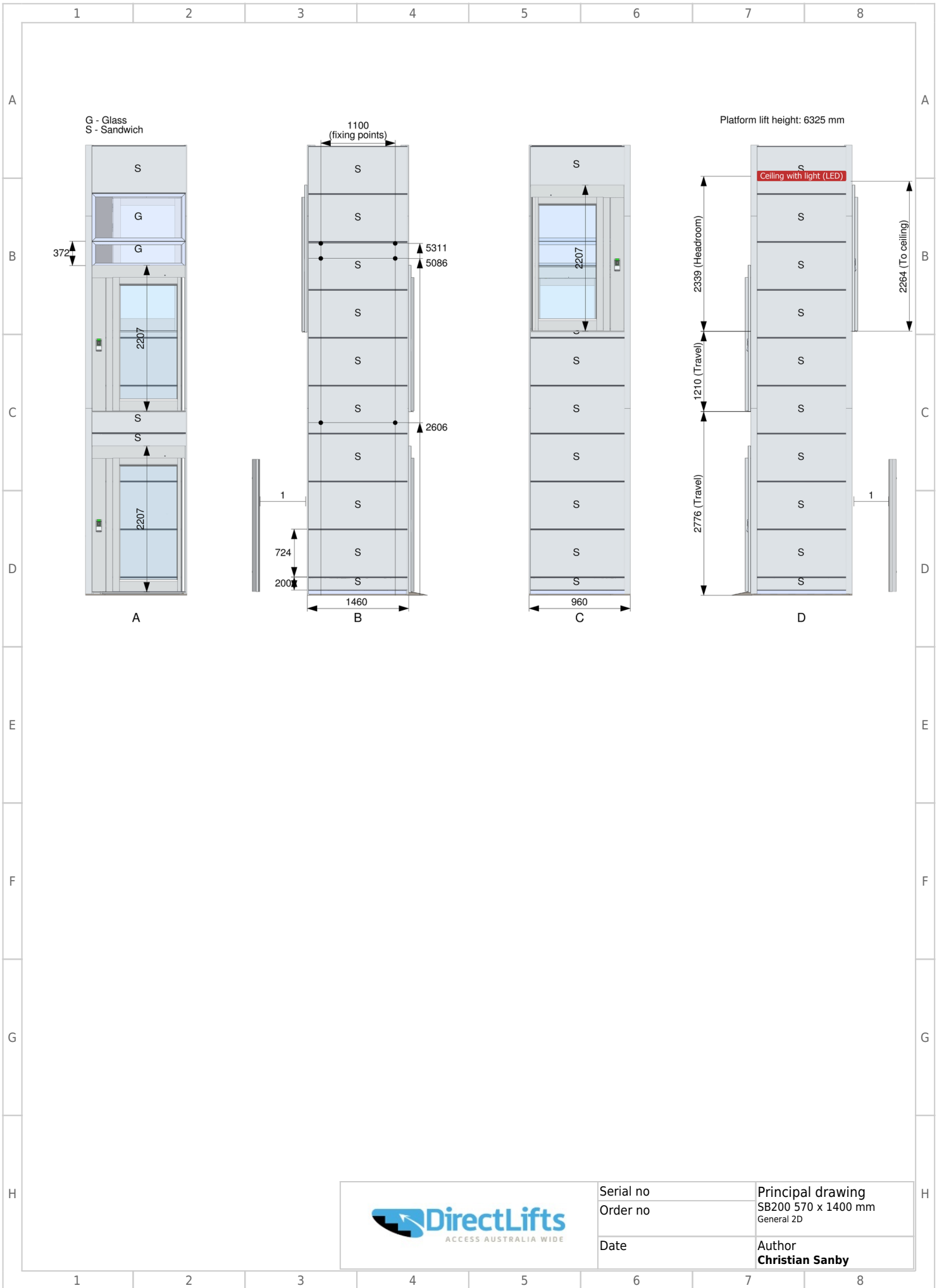
2 Floor
Floor numbering: 1
Platform lifting height: 2776 mm
Doors A: 512x2000 mm
Call button: On the box/profile

1 Floor
Evacuation floor
Floor numbering: G
Platform lifting height: 0 mm
Doors A: 512x2000 mm
Call button: On the box/profile

A
B
C
D
E
F
G
H

	Serial no	Principal drawing SB200 570 x 1400 mm General 3D
	Order no	
	Date	Author Christian Sanby

1 2 3 4 5 6 7 8



Serial no	Principal drawing SB200 570 x 1400 mm General 2D
Order no	
Date	Author Christian Sanby