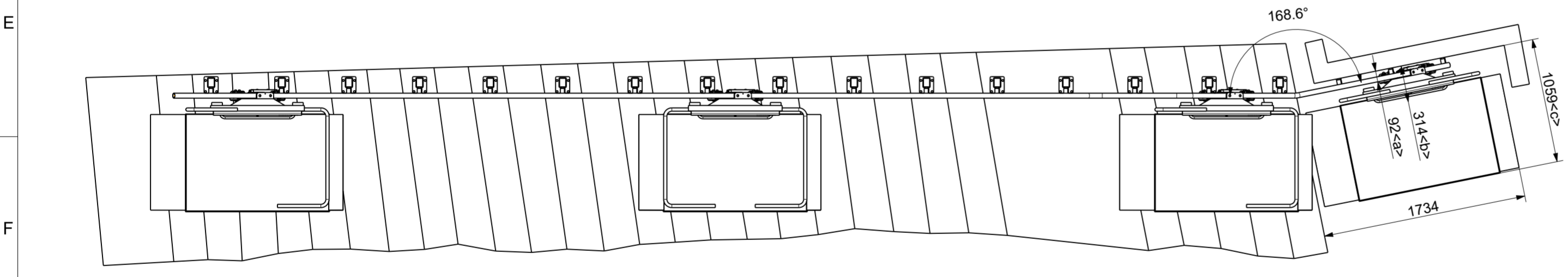
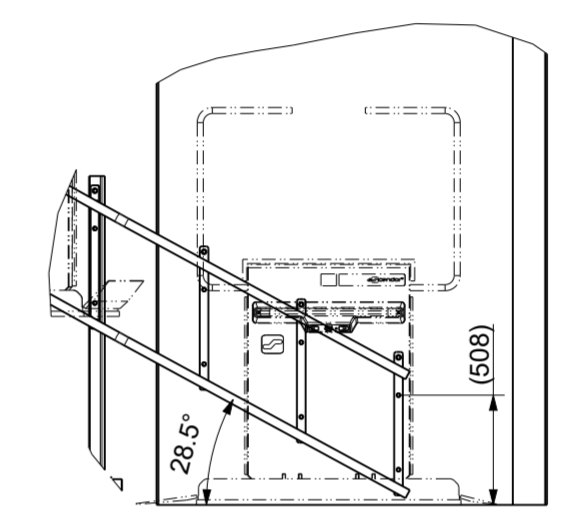


Platform Lift CURVE EN81-40 compliant
 right hand (as viewed from lower level)
 Platform Size: 1210x830mm
 Platform 225kg Loading capacity
 Powder coated in standard RAL 9006
 Mounting: Stanchions / Wall
 2x Wall mounted operating unit incl. keyswitch
 outside installation

300mm access ramp upper side
 gas spring for folding support

Production approval:
 I hereby order the lift system as shown on the
 drawing and confirm that the layout of the
 railway is correct. All natural measurements are
 based on facts given from you.
 Ascendor is not responsible for charges which
 are a result from wrong stated measurements.

 date,sign



Standard stanchions 80x60mm
 powder coated RAL 9006

- A=1400mm
- B=1450mm
- C=1250mm
- D=1250mm
- E=1500mm
- F=1450mm
- G=1500mm
- H=1500mm
- I=1500mm
- J=1500mm
- K=1450mm
- L=1450mm
- M=1450mm
- N=1400mm
- O=1400mm
- P=1400mm

230V power supply line (cable 3x1.5mm²) to the desired mounting point of the battery charger must be supplied on site. Additional earth connection on the rail/stanchions (min. 6mm²) required. Furthermore, fuse protection with a maximum of 13A and an earth-leakage circuit breaker with a tripping fault current of 0.03A must be provided.

Adequate staircase lighting which is independent of a timer must be provided by the customer. A minimum light intensity of 50 lux must be available.

The operator guarantees that there are no supply lines (underfloor heating, electricity, gas, water pipes, etc.) in the area of the stanchions or wall fixings.

Shearing and crushing points that are closer than 100mm to non-contact protected moving parts of the system must be fully covered on site.

A full-surface rail covering in accordance with the applicable building regulations must be provided by the customer.

The user should carry a fully functional mobile phone with him/her on each journey.

		Dateityp:		
		Datum	Name	
		Bear.	25.05.2021	Hinterleitner
		Gepr.		
		Norm		
Zust.	Änderung	Datum	Nam. (Urspr.)	(Ers.f.)
				(Ers.d.)