
Cibes Goods Technical Specifications Brochure Platform Lifts

Technical Specifications

Model	Cibes A4000/Cibes Air®	Cibes A5000/Cibes Air®
Location	Indoor	Indoor / Outdoor ¹
Rated load	300 kg	400 kg / 500 kg
Travel height	Max 13 m	Max 13 m
Min.headroom at top landing	2300 mm	2300 mm
Pit depth ²	0/50/70 mm	0/50/70 mm
Platform (wxd)	800×830/1000×830/ 1000×930/1100×930 mm	800×1217/900×1467/1000×1267/1100×1367/ 1000×1467/1100×1467/1100×1597/1000×1967 ³ mm
Prefabricated shaft size (wxd)	1160×872/1360×872/1360×972/ 1460×972 mm	1160×1259/1260×1509/1360×1309/1460×1409/ 1360×1509/1460×1509/1460×1639/1360×2009 ³ mm
Cut out sizes (wxd)	1200×993/1400×993/1400×1093/ 1500×1093 mm	1200×1380/1300×1630/1400×1430/1500×1530/ 1400×1630/1500×1630/1500×1760/1400×2130 ³ mm
Max. number of stops	6	6
Travel speed (m/s)	Max 0.15 m/s	Max 0.15 m/s
Standard shaft	Steel panels off white RAL 9016	Steel panels off white RAL 9016
Door configuration	Single entry, open-through, adjacent	Single entry, open-through, adjacent
Doors	Swing doors or gates	Swing doors or gates
Clear opening sizes (wxh) ⁴	650/700/750/800/900×2000/2070 mm	700/750/800/850/900/950/1000/1050×2000/ 2070 mm
Clear opening sizes, gate (wxh) ⁴	700/800/900×1100/1300 mm (A/C only)	700/750/800/900/1000×1100/1300 mm
Drive system	Screw-driven with safety nut	Screw-driven with safety nut
Control system	Micro computer based system	Micro computer based system
Power supply	3×400/3×230/1×230 VAC	3×400/3×230/1×230 VAC
Rated motor power	2.2kW	2.2kW
Machine room	Integrated	Integrated
Complies with	EN 81-41 / MD 2006/42/EC	EN 81-41 / MD 2006/42/EC
Manufactured in	Sweden	Sweden

¹ Outdoor equipment available only for the Cibes A5000, platform sizes 1000×1467 and 1100×1467 mm.

² 0 mm pit with access ramp. Access ramp by Cibes available for the Cibes A4000/A5000/Air with a 50 mm high bottom frame.

³ The largest platform size is available for the Cibes A5000 only.

⁴ Standard clear opening (wxh), more available on request. 2070 mm is the standard clear opening height for aluminium doors AL5/AL6 and 1300 mm for the gates of the Cibes Air.



Cibes A4000



Cibes Air®



Cibes A5000

Technical Specifications

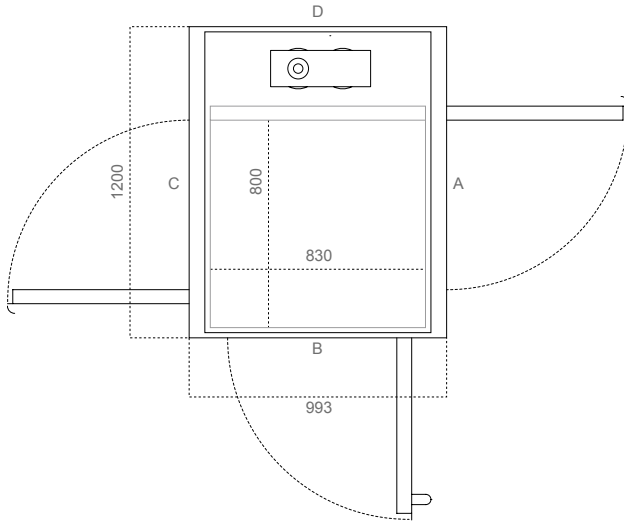
Model	Cibes A8000
Location	Indoor
Rated load	1000 kg
Travel height	Max 13 m
Min.headroom at top landing	2350 mm
Pit depth	130 mm
Platform (wxd)	1405x1980/1405x2480/1105x2180 mm
Prefabricated shaft size (wxd)	1825x2056/1825x2556/1525x2256 mm
Cut out sizes (wxd)	1895x2135/1895x2635/1595x2335 mm
Max. number of stops	6
Travel speed (m/s)	Max 0.15 m/s
Standard shaft	Steel panels off white RAL 9016
Door configuration	Single entry, open-through, adjacent
Doors	Swing doors
Clear opening sizes (wxh) ⁴	1300/1000x2000/2100 mm
Clear opening sizes, gate (wxh) ⁴	-
Drive system	Screw-driven with safety nut
Control system	Micro computer based system
Power supply	3x400/3x230 VAC
Rated motor power	4.0kW
Machine room	Integrated
Complies with	MD 2006/42/EC
Manufactured in	Sweden



Cibes Lift Sizes

Cibes A4000/Cibes Air® Option 1 (wxd) mm

Platform size	800x830
Footprint	1160x872
Cut out size	1200x993

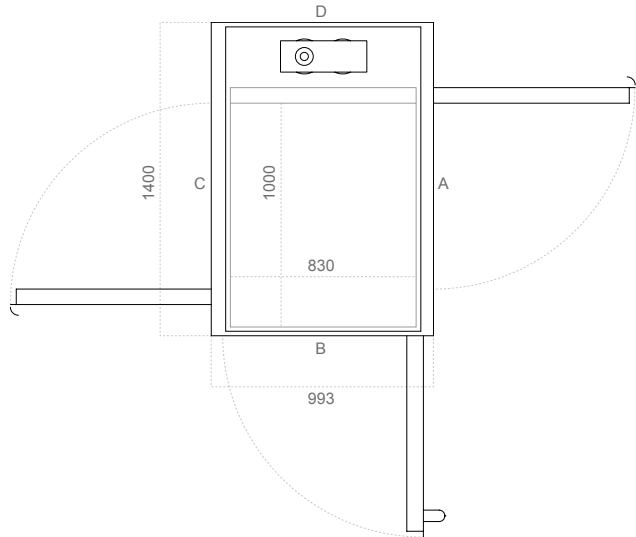


Door Opening Width mm

Door Type	Side A/C	Side B
A10/A20 (steel)	700	700
AL5/AL6 (aluminium)	700	650
EI60/EI60G (fire rated)	700	/
A15/A25 (gate)	700	/

Cibes A4000/Cibes Air® Option 2 (wxd) mm

Platform size	1000x830
Footprint	1360x872
Cut out size	1400x993

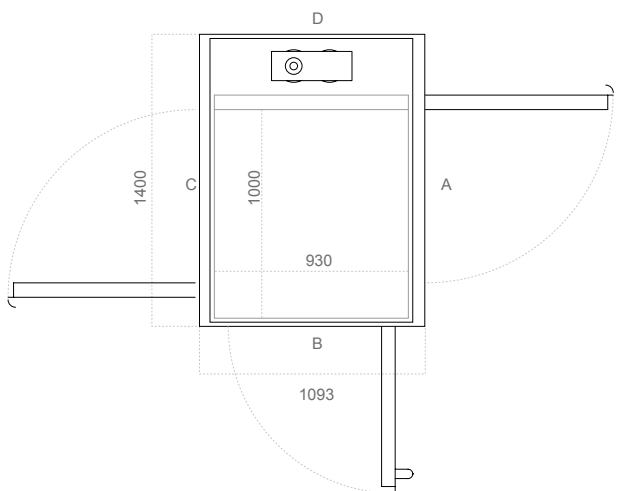


Door Opening Width mm

Door Type	Side A/C	Side B
A10/A20 (steel)	900	700
AL5/AL6 (aluminium)	900	650
EI60/EI60G (fire rated)	900	/
A15/A25 (gate)	900	/

Cibes A4000/Cibes Air® Option 3 (wxd) mm

Platform size	1000x930
Footprint	1360x972
Cut out size	1400x1093

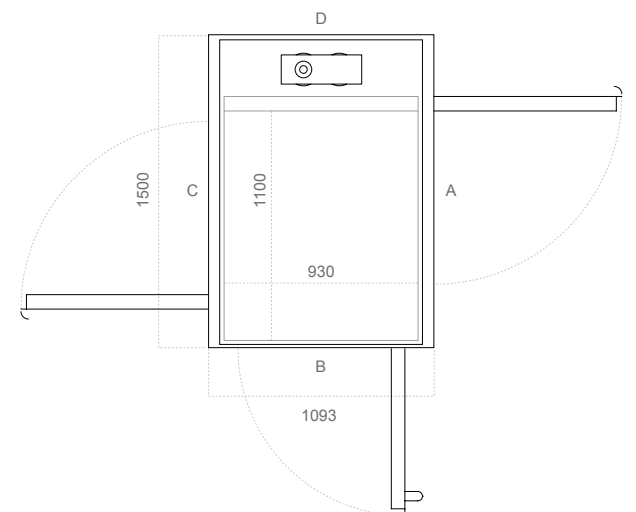


Door Opening Width mm

Door Type	Side A/C	Side B
A10/A20 (steel)	900	800
AL5/AL6 (aluminium)	900	750
EI60/EI60G (fire rated)	900	/
A15/A25 (gate)	900	/

Cibes A4000/Cibes Air® Option 4 (wxd) mm

Platform size	1100x930
Footprint	1460x972
Cut out size	1500x1093



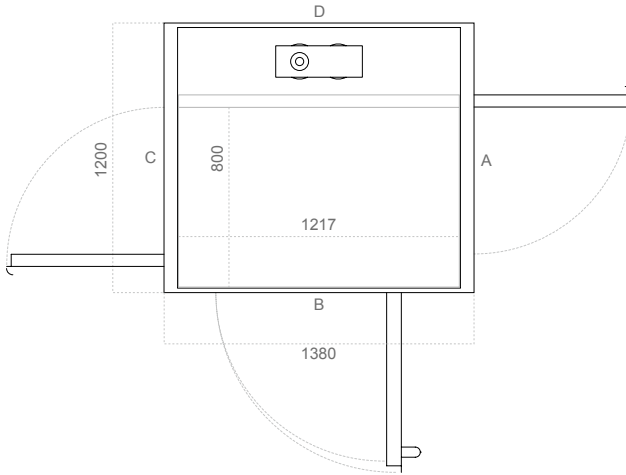
Door Opening Width mm

Door Type	Side A/C	Side B
A10/A20 (steel)	900	800
AL5/AL6 (aluminium)	900	750
EI60/EI60G (fire rated)	900	/
A15/A25 (gate)	900	/

Cibes Lift Sizes

Cibes A5000/Cibes Air® Option 1 (wxd) mm

Platform size	800x1217
Footprint	1160x1259
Cut out size	1200x1380

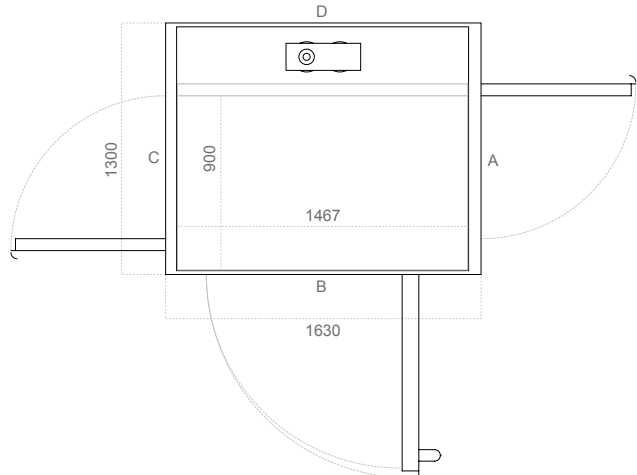


Door Opening Width mm

Door Type	Side A/C	Side B
A10/A20 (steel)	700	750
AL5/AL6 (aluminium)	700	800
EI60/EI60G (fire rated)	700	750
A15/A25 (gate)	700	750

Cibes A5000/Cibes Air® Option 2 (wxd) mm

Platform size	900x1467
Footprint	1260x1509
Cut out size	1300x1630

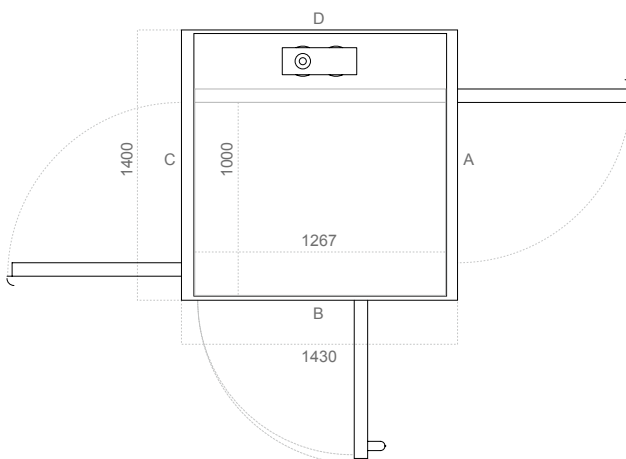


Door Opening Width mm

Door Type	Side A/C	Side B
A10/A20 (steel)	800	1000
AL5/AL6 (aluminium)	800	1050
EI60/EI60G (fire rated)	800	1000
A15/A25 (gate)	800	1000

Cibes A5000/Cibes Air® Option 3 (wxd) mm

Platform size	1000x1267
Footprint	1360x1309
Cut out size	1400x1430

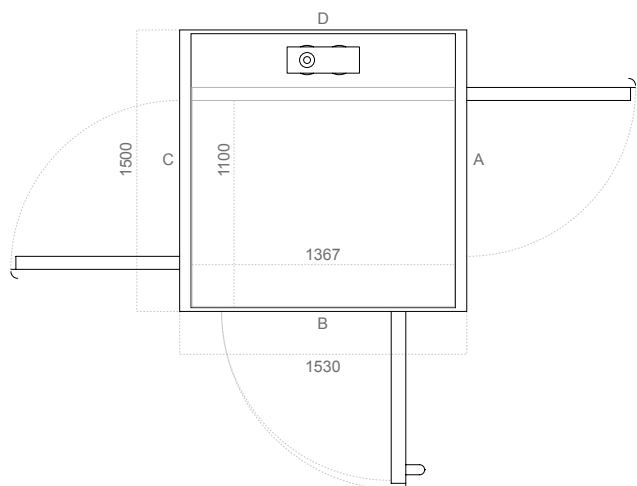


Door Opening Width mm

Door Type	Side A/C	Side B
A10/A20 (steel)	900	800
AL5/AL6 (aluminium)	900	850
EI60/EI60G (fire rated)	900	800
A15/A25 (gate)	900	800

Cibes A5000/Cibes Air® Option 4 (wxd) mm

Platform size	1100x1367
Footprint	1460x1409
Cut out size	1500x1530



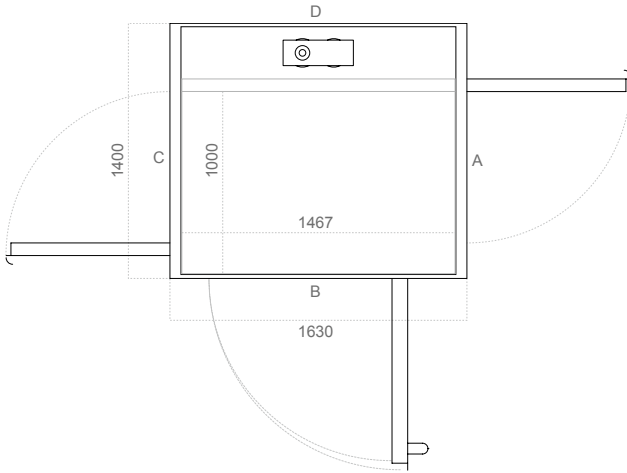
Door Opening Width mm

Door Type	Side A/C	Side B
A10/A20 (steel)	900	900
AL5/AL6 (aluminium)	900	950
EI60/EI60G (fire rated)	900	900
A15/A25 (gate)	900	900

Cibes Lift Sizes

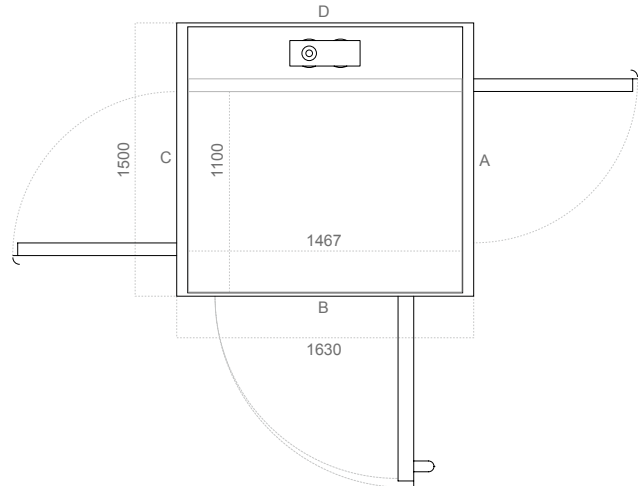
Cibes A5000/Cibes Air® Option 5 (wxd) mm

Platform size	1000x1467
Footprint	1360x1509
Cut out size	1400x1630



Cibes A5000/Cibes Air® Option 6 (wxd) mm

Platform size	1100x1467
Footprint	1460x1509
Cut out size	1500x1630



Door Opening Width mm

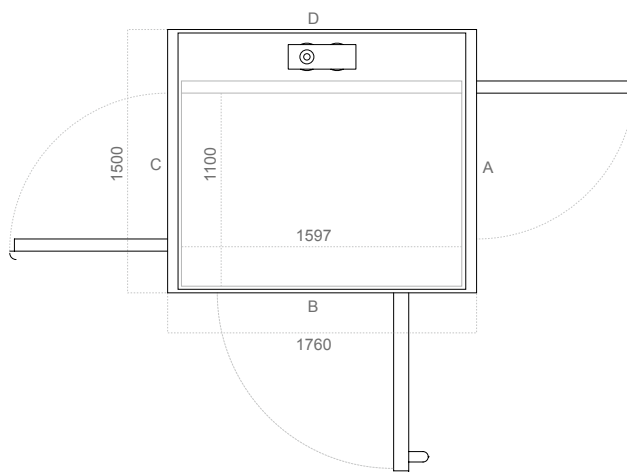
Door Type	Side A/C	Side B
A10/A20 (steel)	900	1000
AL5/AL6 (aluminium)	900	1050
EI60/EI60G (fire rated)	900	1000
A15/A25 (gate)	900	1000

Door Opening Width mm

Door Type	Side A/C	Side B
A10/A20 (steel)	900	1000
AL5/AL6 (aluminium)	900	1050
EI60/EI60G (fire rated)	900	1000
A15/A25 (gate)	900	1000

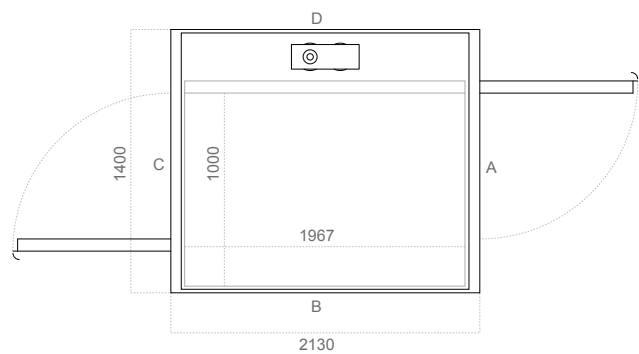
Cibes A5000/Cibes Air® Option 7 (wxd) mm

Platform size	1100x1597
Footprint	1460x1639
Cut out size	1500x1760



Cibes A5000 Option 8 (wxd) mm

Platform size	1000x1967
Footprint	1360x2009
Cut out size	1400x2130



Door Opening Width mm

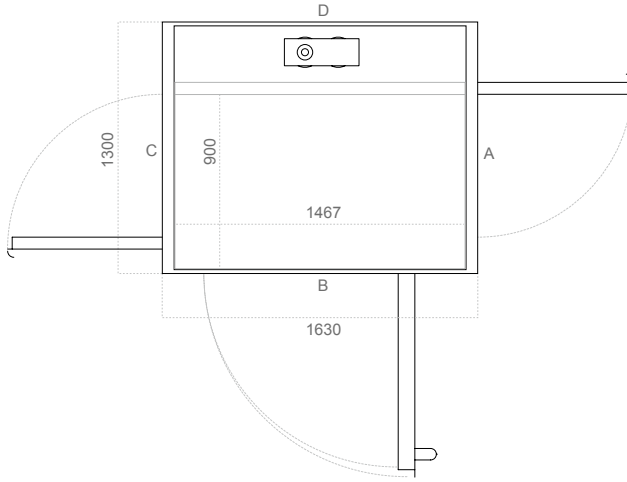
Door Type	Side A/C	Side B
A20/A10/A0 (steel)	900	1000
AL5/AL6 (aluminium)	900	1050
EI60/EI60G (fire rated)	900	1000
A15/A25 (gate)	900	/

Door Opening Width mm

Door Type	Side A/C	Side B
A10/A20 (steel)	900	/
AL5/AL6 (aluminium)	900	/
EI60/EI60G (fire rated)	900	/
A15/A25 (gate)	900	/

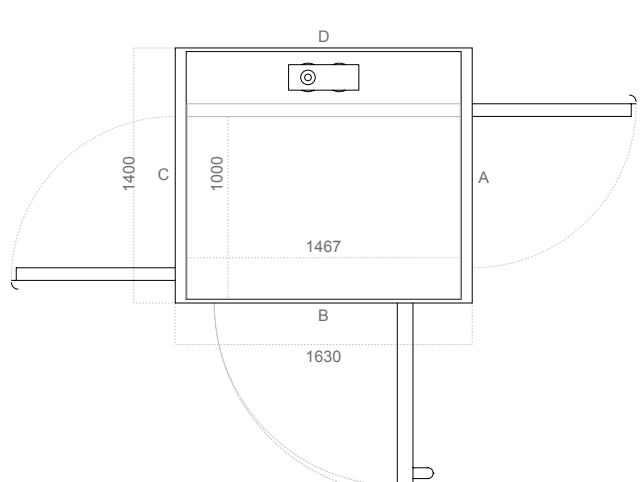
Cibes Lift Sizes

Cibes High Back Option 1 (wxd) mm	
Platform size	900x1467
Footprint	1260x1509
Cut out size	1300x1630



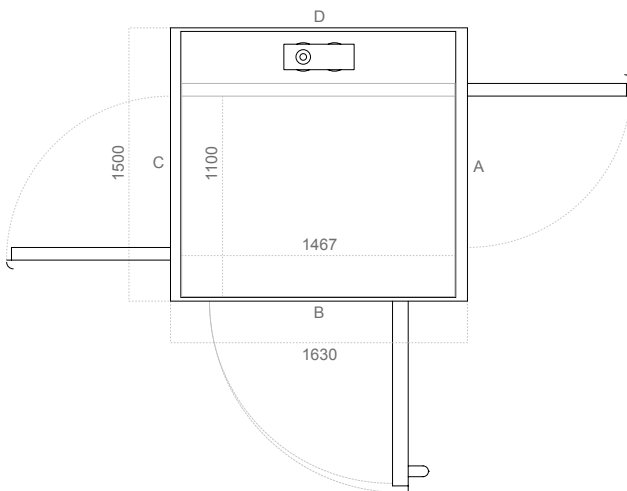
Door Opening Width mm		
Door Type	Side A/C	Side B
A10/A20 (steel)	800	1000
AL5/AL6 (aluminium)	800	1050
EI60/EI60G (fire rated)	800	1000

Cibes High Back Option 2 (wxd) mm	
Platform size	1000x1467
Footprint	1360x1509
Cut out size	1400x1630



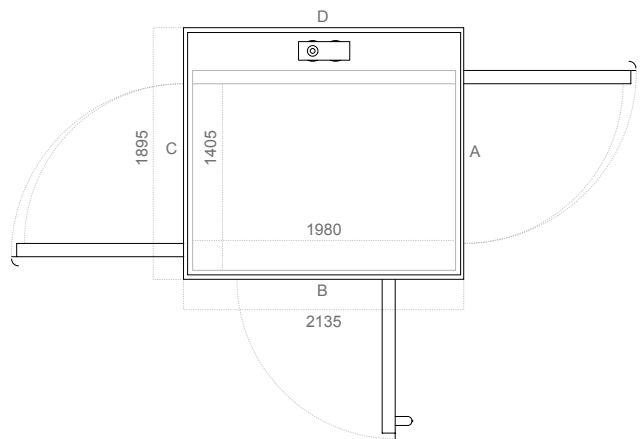
Door Opening Width mm		
Door Type	Side A/C	Side B
A10/A20 (steel)	900	1000
AL5/AL6 (aluminium)	900	1050
EI60/EI60G (fire proof)	900	1000

Cibes High Back Option 3 (wxd) mm	
Platform size	1100x1467
Footprint	1460x1509
Cut out size	1500x1630



Door Opening Width mm		
Door Type	Side A/C	Side B
A10/A20 (steel)	900	1000
AL5/AL6 (aluminium)	900	1050
EI60/EI60G (fire proof)	900	1000

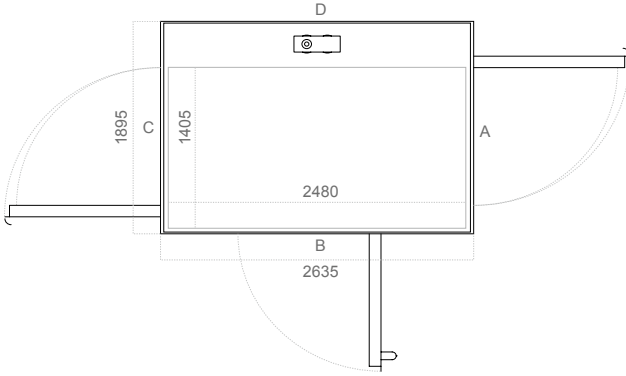
Cibes A8000 Option 1 (wxd) mm	
Platform size	1405x1980
Footprint	1825x2056
Cut out size	1895x2135



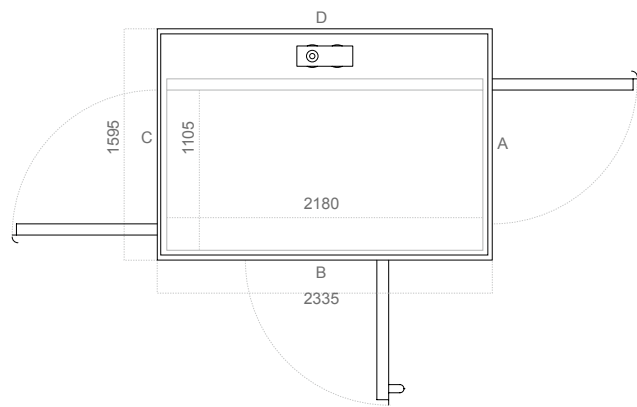
Door Opening Width mm		
Door Type	Side A/C	Side B
A40 (steel)	1300	1300
EI60 (fire rated)	1200	/

Cibes Lift Sizes

Cibes A8000 Option 2 (wxd) mm	
Platform size	1405x2480
Footprint	1825x2556
Cut out size	1895x2635



Cibes A8000 Option 3 (wxd) mm	
Platform size	1105x2180
Footprint	1525x2256
Cut out size	1595x2335



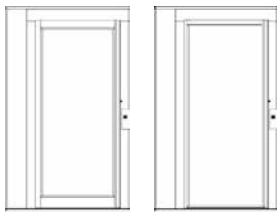
Door Opening Width mm		
Door Type	Side A/C	Side B
A40 (steel)	1300	1300
EI60 (fire rated)	1200	/

Door Opening Width mm		
Door Type	Side A/C	Side B
A40 (steel)	1000	1000
EI60 (fire rated)	1000	/
EI60G (fire rated)	1000	/

Cut out sizes above can only apply to our prefabricated shaft, the exact cut out sizes vary depending on the configuration of the lift and site specifications, please consult your local Cibes dealer or distributor for more information.

Door models

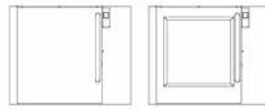
Door glazing in laminated and tempered safety glass.



AL5

AL6

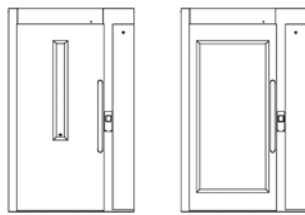
Doors in natural, anodized aluminium with panoramic glazing.



A15

A25

Gates with or without glass.



A10

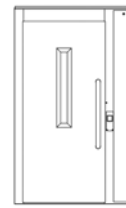
A20

Steel doors with a small vision panel or panoramic.

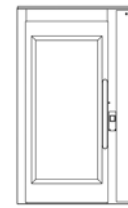


A0

Steel door without glass. For private settings only.



EI60



EI60G

Fire rated door with small vision panel (EI60) or panoramic (EI60G).

DOORS for Cibes A5000, A4000 & Cibes Air®

Door model	A20	A10/A0	AL5 ³	AL6 ³	EI60 ¹	EI60G ¹	A25 ³	A15 ³
Door type	Swing door	Swing door	Swing door	Swing door	Swing door	Swing door	Swing door	Swing door
Material	Steel	Steel	Aluminium	Aluminium	Steel	Steel	Steel	Steel
Standard finish	RAL 9016	RAL 9016	Natural alum.	Natural alum.	RAL 9016	RAL 9016	RAL 9016	RAL 9016
Glass (wxh) ² mm	715x1573	90x1010/0	775x1835	825x1998	75x800	700x1563	710x710	N/A
Concealed opener	Option	Option	Option	Option	N/A	N/A	Option	Option
Ext. fitted opener	-	-	-	-	Option	Option	-	-
Customized wxh	Yes	Yes	Yes	Yes	Yes	Yes	Yes	Yes

¹ Fire rated EI60 according to standard EN 81-58. Fire rated doors must always be combined with a site-built shaft with equivalent/superior fire rating, depending on your local regulations.

² Glass dimensions for doors/gates with a clear opening of 900x2000/900x1100/1300 mm, 900x2070 mm for the AL5/AL6 doors.

³ Not available for side B on platform sizes 800x830, 1000x830, 1000x930 and 1100x930 mm.

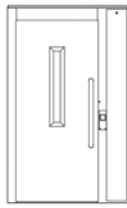
Door models

Door glazing in laminated and tempered safety glass.

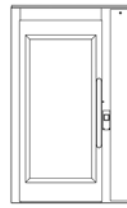


A40

Steel door with panoramic glazing.



EI60



EI60G

Fire rated door with small vision panel (EI60) or panoramic (EI60G).

DOORS for Cibes A8000			
Door model	A40	EI60 ¹	EI60G ¹
Door type	Swing door	Swing door	Swing door
Material	Steel	Steel	Steel
Standard finish	RAL 9016	RAL 9016	RAL 9016
Glass (w×h) ² mm	800×1563	75×800	800×1563
Concealed opener	-	-	-
Ext. fitted opener	Option	Option	Option
Customized w×h	Yes	Yes	Yes

¹ Fire rated EI60 according to standard EN 81-58. EI60G only for platform size 1105×2180. Fire rated doors must always be combined with a site-built shaft with equivalent/superior fire rating, depending on your local regulations.

² Glass dimensions for doors of standard dimensions side A/C.

Examples of different configurations



Gate, open through.
2 landings.



Gate, adjacent,
2 landings.



Gate, single entry,
2 landings.



Full height doors, single entry.
2 landings.



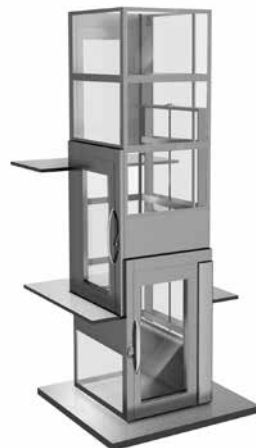
Full height doors, open through.
2 landings.



Full height doors, adjacent.
2 landings.



Full height doors, open through.
3 landings.



Full height doors, adjacent,
open through. 3 landings.



Full height doors, single entry.
3 landings.

Cibēs **directlifts**
AUSTRALIA

proudly distributed by
www.directlifts.com.au
info@directlifts.com.au
PH: 1300 240 298