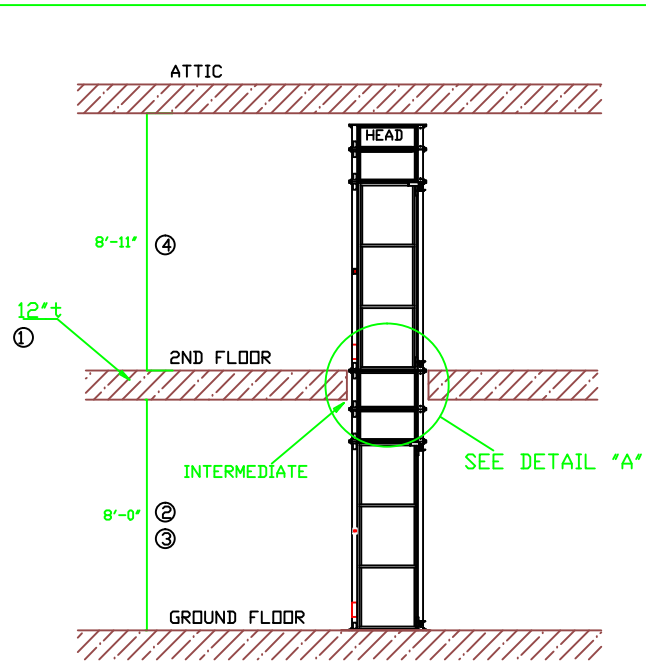
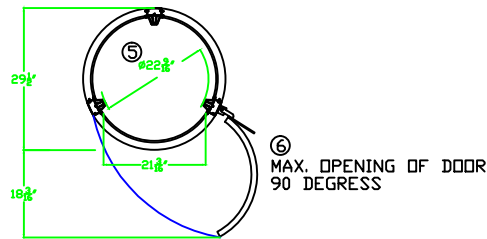


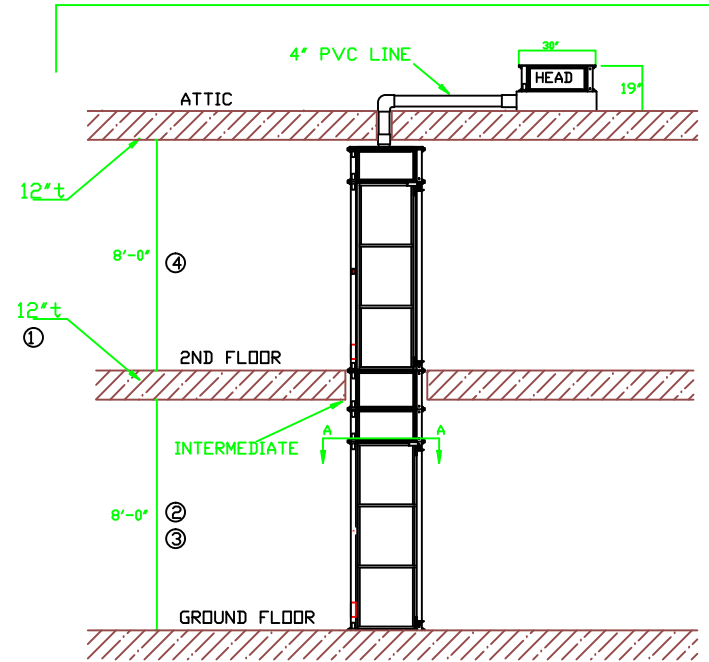
TYPICAL SETUP



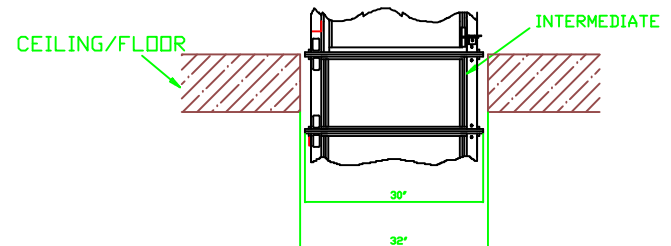
VIEW "A-A"  
SCALE 2:1



OPTION: REMOTE LOCATION OF HEAD UNIT



DETAIL "A"  
(TYPICAL OF FLOOR PENETRATION)



NOTE:

- ① INTERMEDIATE CYLINDER IS CUSTOM MADE AS FLOOR THICKNESS MAY VARY FROM HOME TO HOME.
- ② INTERMEDIATE CYLINDER IS CUSTOM MADE AS ROOM HEIGHT MAY VARY FROM HOME TO HOME.
- ③ MINIMUM ALLOWABLE HEIGHT IS 7'-9"
- ④ MINIMUM ALLOWABLE HEIGHT AS SHOWN FOR THIS TYPE OF INSTALLATION
- ⑤ INTERNAL DIAMETER OF CABIN WITHOUT THE COLUMNS IS 25 3/4" AND THE INTERNAL CABIN HEIGHT IS 6'-5"
- ⑥ DOOR WIDTH IS 26 3/4"
- ⑦ MAX. ELEVATOR HEIGHT IS 35'